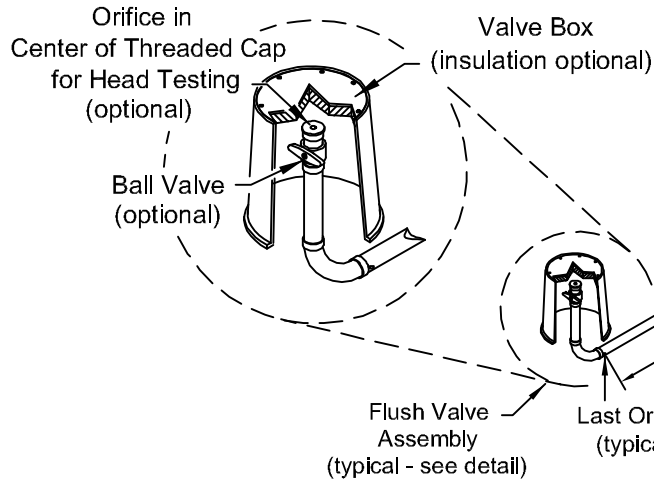


DISTRIBUTION NETWORK SPECIFICATIONS

STEPPED ELEVATIONS - 2 CELLS

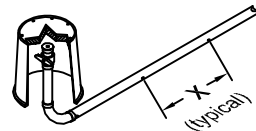
(No Scale)

FLUSH VALVE DETAIL (No Scale)



Force Main connection to Manifold: _____

Lateral Spacing
 $S =$ _____ ft

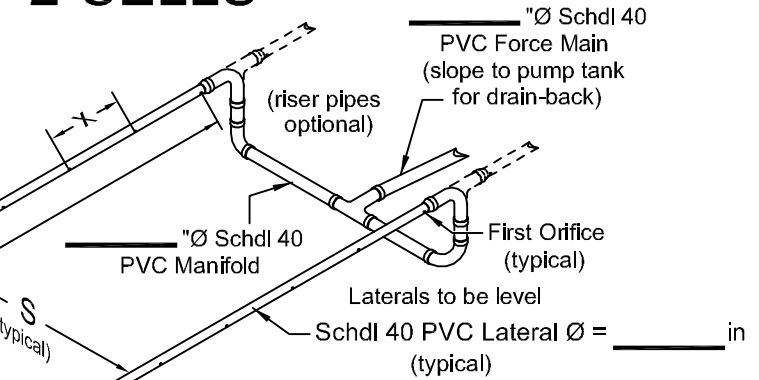


Orifices equally spaced along bottom of lateral

Cell A / Cell B
Orifice Spacing (X) = _____ in
(typical)

Orifice Diameter = _____ in
(typical)

LATERAL INVERT ELEVATION = _____ / _____ ft



Cell A / Cell B
Lateral Length (P) = _____ / _____ ft

Number of Orifices per Lateral = _____ / _____

Orifice Discharge Rate = _____ / _____ gpm

Number of Laterals = _____ / _____

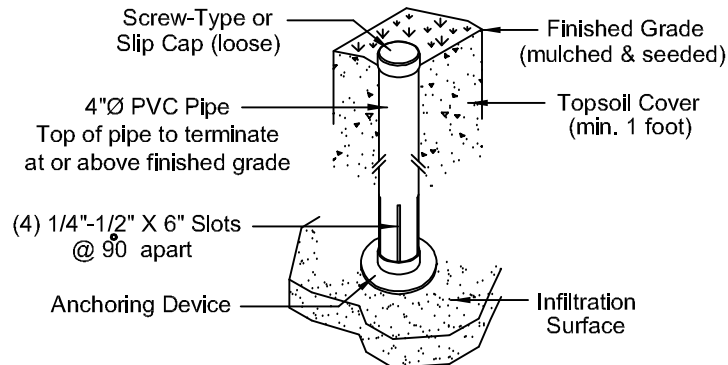
Lateral Discharge Rate = _____ / _____ gpm

TOTAL DISCHARGE RATE = _____ GPM

Orifices equally spaced:
[check a) OR b) below]

- a) _____ along bottom of lateral
 - b) _____ along top of lateral
- with every _____ th hole facing down

OBSERVATION PIPE DETAIL (No Scale)



Check applicable box.

