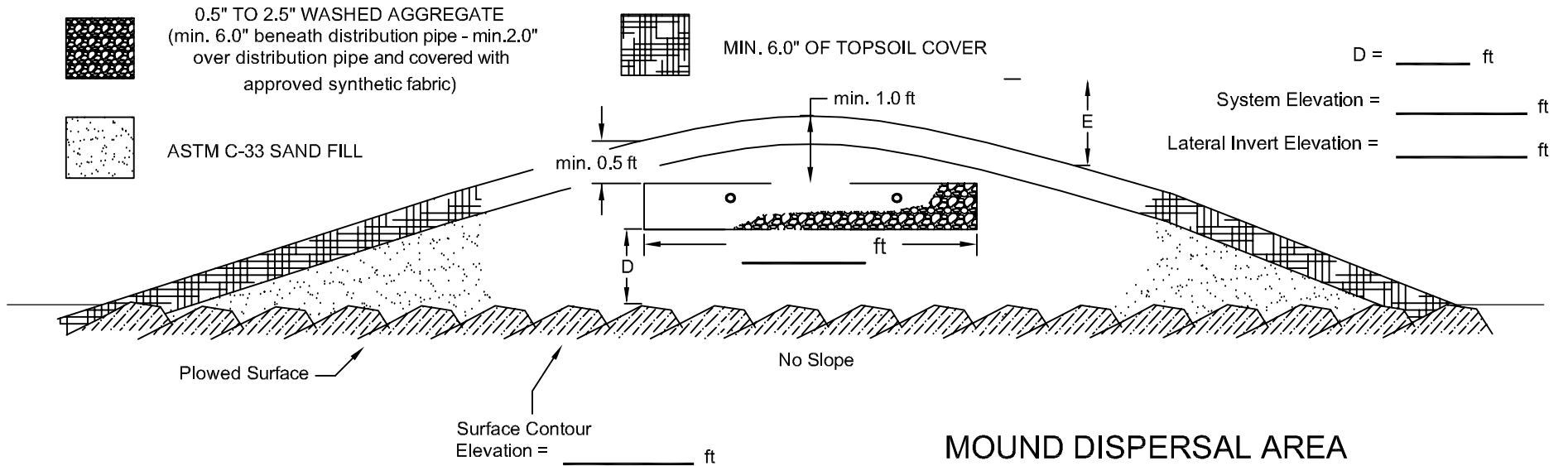


CROSS SECTION VIEW (No Scale)



MOUND DISPERSAL AREA

PLAN VIEW (No Scale)

(Show force main, manifold, and flush valve locations on plan view.)

