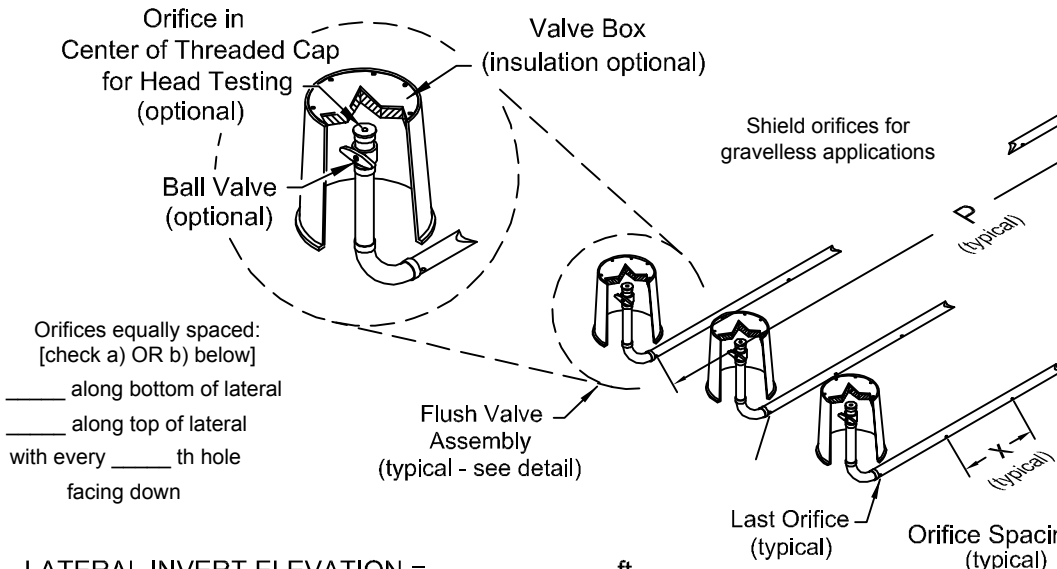


DISTRIBUTION NETWORK SPECIFICATIONS (No Scale)

FLUSH VALVE DETAIL (No Scale)



Orifices equally spaced:
[check a) OR b) below]

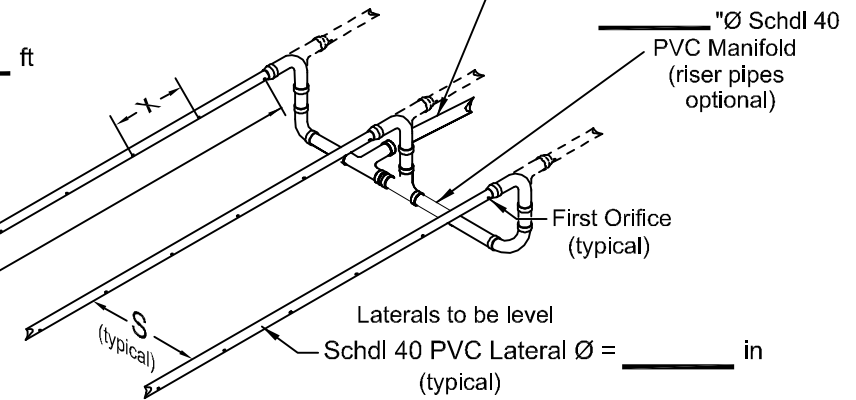
_____ along bottom of lateral

_____ along top of lateral
with every _____ th hole
facing down

LATERAL INVERT ELEVATION = _____ ft
(typical)

Lateral Length (P) = _____ ft

Lateral Spacing
S = _____ ft



Number of Orifices per Lateral = _____

Orifice Discharge Rate = _____ gpm

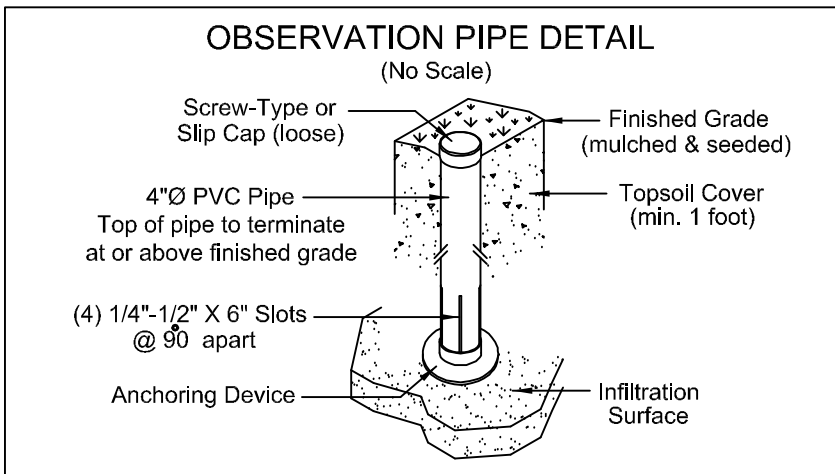
Number of Laterals = _____

Lateral Discharge Rate = _____ gpm

TOTAL DISCHARGE RATE = _____ GPM

Orifice Diameter = _____ in (typical)

OBSERVATION PIPE DETAIL (No Scale)



Check applicable box.

