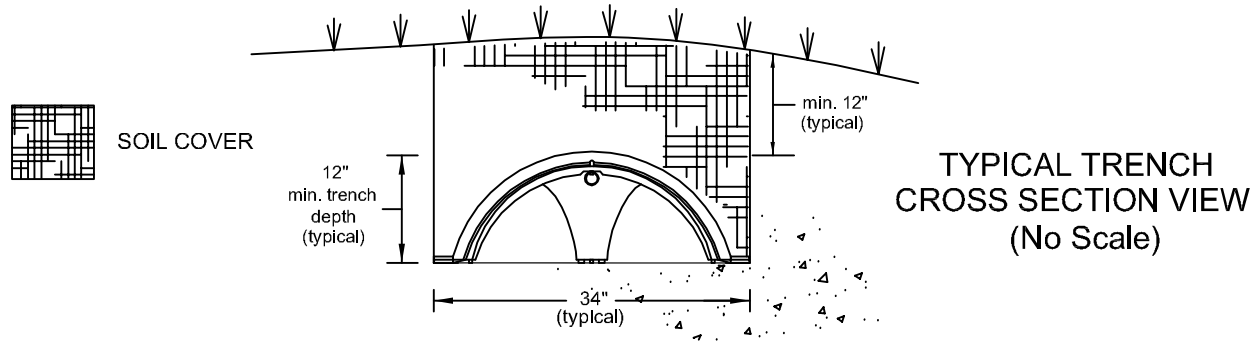


IN-GROUND PRESSURE DISPERSAL AREA

Stepped Elevation Trenches with Quick4 Standard-W Chambers

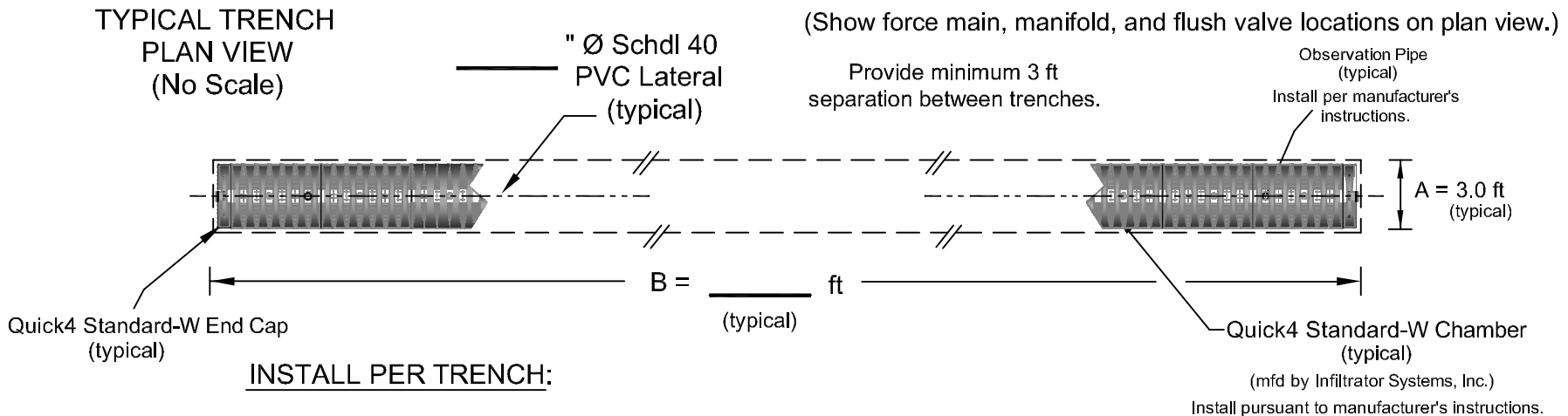
3-ft Trench (down-sizing credit)



Highest Trench → Lowest Trench (as applicable)

System Elevations = _____ ft; _____ ft; _____ ft; _____ ft; _____ ft

Lateral Invert Elevations = _____ ft; _____ ft; _____ ft; _____ ft; _____ ft



INSTALL PER TRENCH:

	Quick4 Std-W @ 20 ft ² EISA/chamber = _____ ft ²		
+	Pairs of end caps @ 6 ft ² EISA/pair = _____ ft ²		
	= Proposed EISA per trench = _____ ft ²		Required Infiltration Area = _____ ft ²
	x _____ trenches = Proposed Total EISA = _____ ft ²		