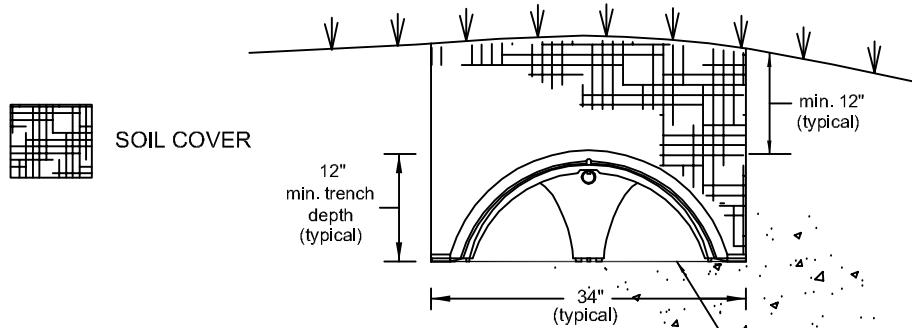


IN-GROUND PRESSURE DISPERSAL AREA

Uniform Elevation Trenches with Quick4 Standard-W Chambers

3-ft Trench (down-sizing credit)



**TYPICAL TRENCH
CROSS SECTION VIEW
(No Scale)**

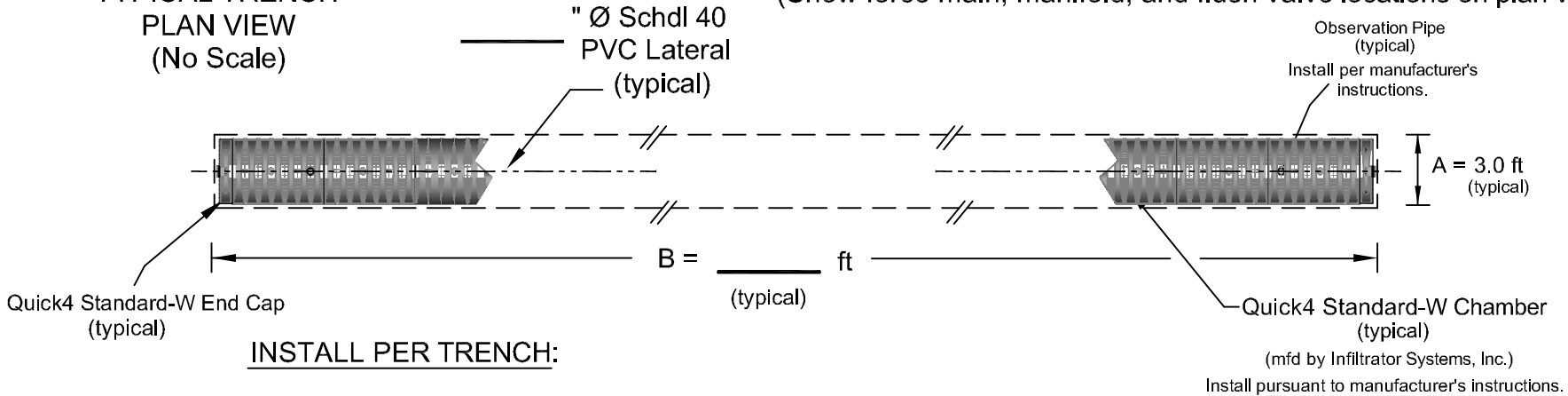
Lateral Invert Elevation = _____ ft
(typical)

System Elevation = _____ ft
(typical)

Provide minimum 3 ft
separation between trenches.

**TYPICAL TRENCH
PLAN VIEW
(No Scale)**

(Show force main, manifold, and flush valve locations on plan view.)



INSTALL PER TRENCH:

_____ Quick4 Std-W @ 20 ft² EISA/chamber = _____ ft²

+ _____ Pairs of end caps @ 6 ft² EISA/pair = _____ ft²

= Proposed EISA per trench = _____ ft²

Required Infiltration Area = _____ ft²

x _____ trenches = Proposed Total EISA = _____ ft²