

DOUBLE-CELL EZ FLOW MOUND DISPERSAL AREA UNIFORM CELL ELEVATIONS



MIN. 6.0" OF TOPSOIL COVER

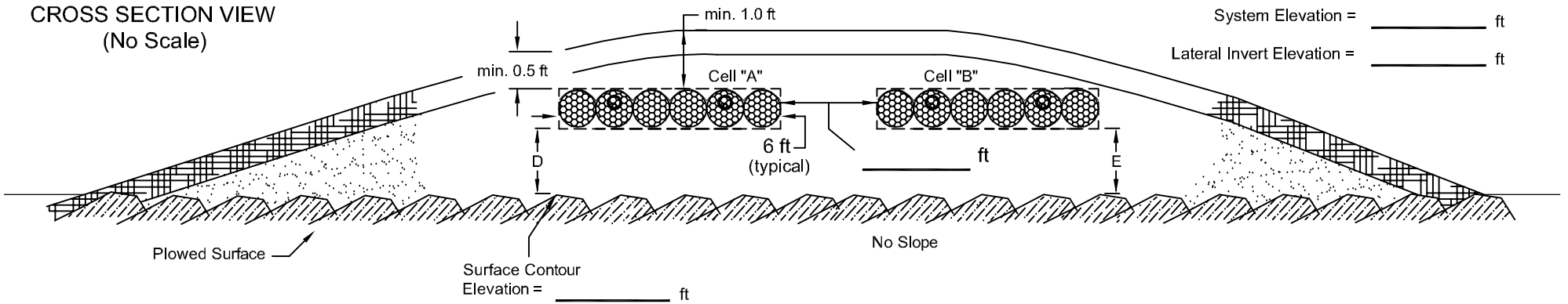


ASTM C-33 SAND FILL

D = _____ ft

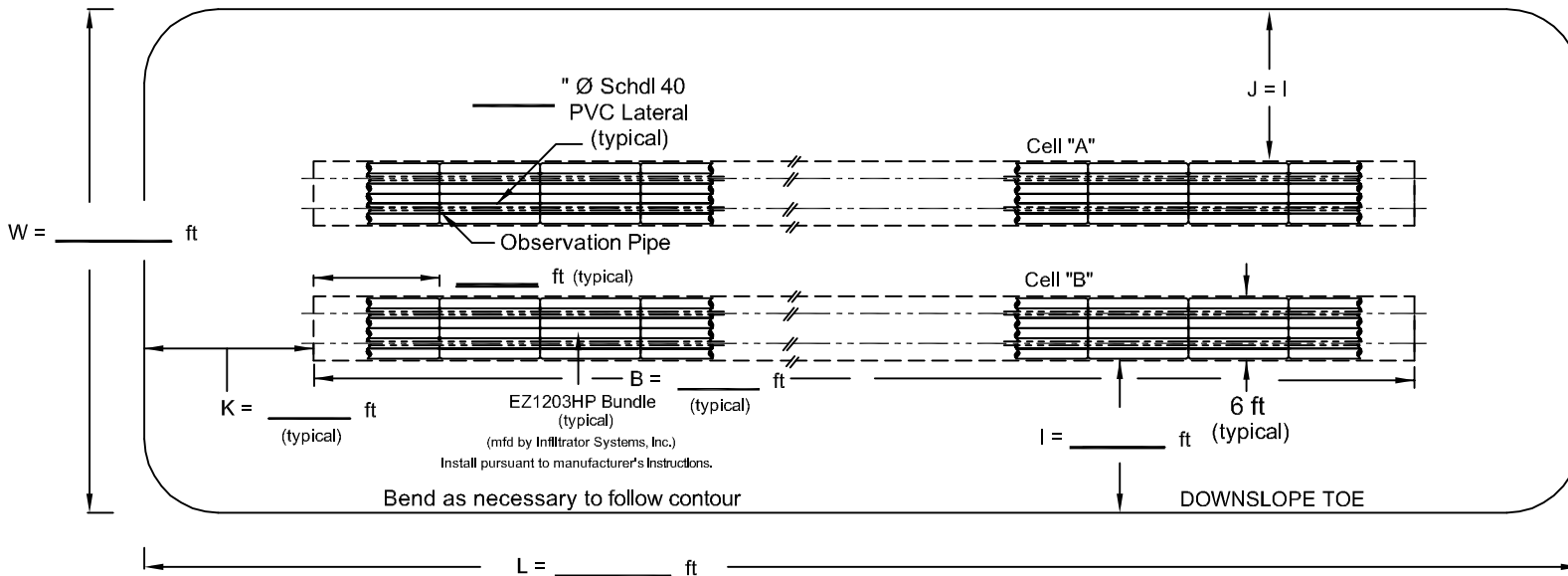
E = D

CROSS SECTION VIEW
(No Scale)



(Show force main, manifold, and flush valve locations on plan view.)

PLAN VIEW
(No Scale)



Total Dispersal Area
= _____ ft²

Total Basal Area
= _____ ft²

Prohibit disturbance and vehicular traffic within 15 feet of downslope toe.